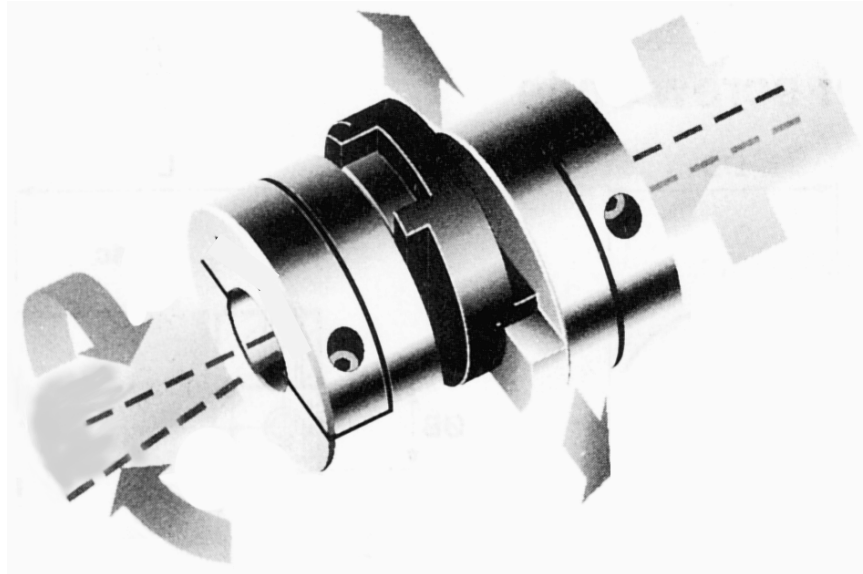


Flexible Couplings



These flexible and very robust couplings consist of only 3 parts and are intended for non-continuous operation. They offer zero-play operation, a high torsional stiffness and are easy to mount in even difficult installations. Typical applications are in motion control, e.g. in positioning systems, transport systems, optical systems, etc.

A main feature of these couplings is the ability to absorb radial displacement without bending. Since there is no persistent force from bending, bearing load is low.

The torque is transmitted by a "floating" moulded disc which absorb deflections. At the same time it acts as a mechanical safety fuse. Under serious overload, the disc fails, fractur-

ing cleanly, and thus provides some degree of protection to personnel and machinery. The disc is easy to change and the entire construction, in which the parts can be pulled from one another, enables disassembly without removing the drive discs from axles.

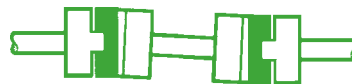
These couplings require that both axles have sufficient support. They must not be used on long unsupported axle

lengths and must not be used in pairs with an intermediate unsupported axle.

- Up to 10^8 revolutions
- Handle large radial displacement
- No bending gives low bearing load
- Acts as a mechanical fuse
- Replaceable wearable parts
- Non-magnetic
- Electrically insulating
- Low inertia

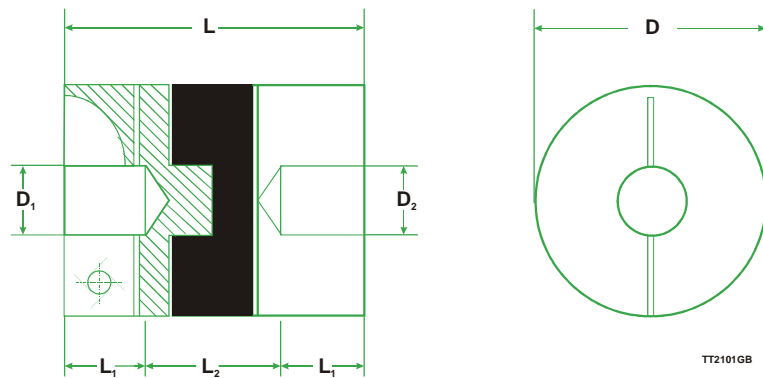


Correct



Incorrect

Specifications and order numbers



Order Number	D ₁ mm	D ₂ mm	L mm	L ₁ mm	L ₂ mm	D mm	D ₁ and D ₂ max. diameter mm	Inertial torque kgcm ²	Mass gram	Static failure torque Nm	Peak torque Nm*	Displa- cement Angular Degrees	Displace- ment Radial mm	Displace- ment Axial mm
KOB101	6.35	10.00	28.4	8.6	11.2	25.4	10	0.0252	31	13	3.4	1	2.8	0.20
KOB102	6.00	9.53	28.4	8.6	11.2	25.4	10	0.0252	31	13	3.4	1	2.8	0.20
KOB103	6.35	6.00	28.4	8.6	11.2	25.4	10	0.0252	31	13	3.4	1	2.8	0.20
KOB104	6.00	10.00	28.4	8.6	11.2	25.4	10	0.0252	31	13	3.4	1	2.8	0.20
KOB105	6.00	6.00	28.4	8.6	11.2	25.4	10	0.0252	31	13	3.4	1	2.8	0.20
KOB106	8.00	10.00	28.4	8.6	11.2	25.4	10	0.0252	31	13	3.4	1	2.8	0.20
KOB107	6.35	8.00	28.4	8.6	11.2	25.4	10	0.0252	31	13	3.4	1	2.8	0.20
KOB108	10.00	10.00	28.4	8.6	11.2	25.4	10	0.0252	31	13	3.4	1	2.8	0.20
KOB201	10.00	10.00	48.0	15.0	18.0	33.3	14.29	0.1133	74	53	9	1	3.6	0.25
KOB202	10.00	14.00	48.0	15.0	18.0	33.3	14.29	0.1133	74	53	9	1	3.6	0.25
KOB203	10.00	12.00	48.0	15.0	18.0	33.3	14.29	0.1133	74	53	9	1	3.6	0.25
KOB206	9.53	9.53	48.0	15.0	18.0	33.3	14.29	0.1133	74	53	9	1	3.6	0.25
KOB207	8.00	8.00	48.0	15.0	18.0	33.3	14.29	0.1133	74	53	9	1	3.6	0.25
KOB208	12.00	12.00	48.0	15.0	18.0	33.3	14.29	0.1133	74	53	9	1	3.6	0.25
KOB301	12.00	12.70	50.8	17.8	15.3	41.3	16	0.3177	142	57	18	1	4.5	0.25
KOB401	19.00	16.00	59.6	20.6	18.4	50	25.4	0.7550	208	95	26	1	5.5	0.30
KOB402	16.00	19.00	59.6	20.6	18.4	50	25.4	0.7550	208	95	26	1	5.5	0.30
KOB403	10.00	19.00	59.6	20.6	18.4	50	25.4	0.7550	208	95	26	1	5.5	0.30

* The couplings can withstand a minimum of 10⁶ reversals of operating direction at these levels

The maximum recommended rate of rotation for all the couplings is 3000 rpm.

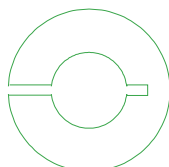
L₁ = Depth of axle hole, L₂ = Distance between ends of axle.

Material: Aluminium alloy with alocrom corrosion protection. Acetal discs.

Adaptor

A 4 to 6.35 mm adaptor is available for 4mm axles.

Order number: KOB001



TT2102GB



JVL Industri Elektronik A/S
 Blokken 42
 DK-3460 Birkerød, Denmark
 Tel: +45 4582 4440
 Fax: +45 4582 5550
 E-mail: jvl@jvl.dk www.jvl.dk